

4

3

2

1

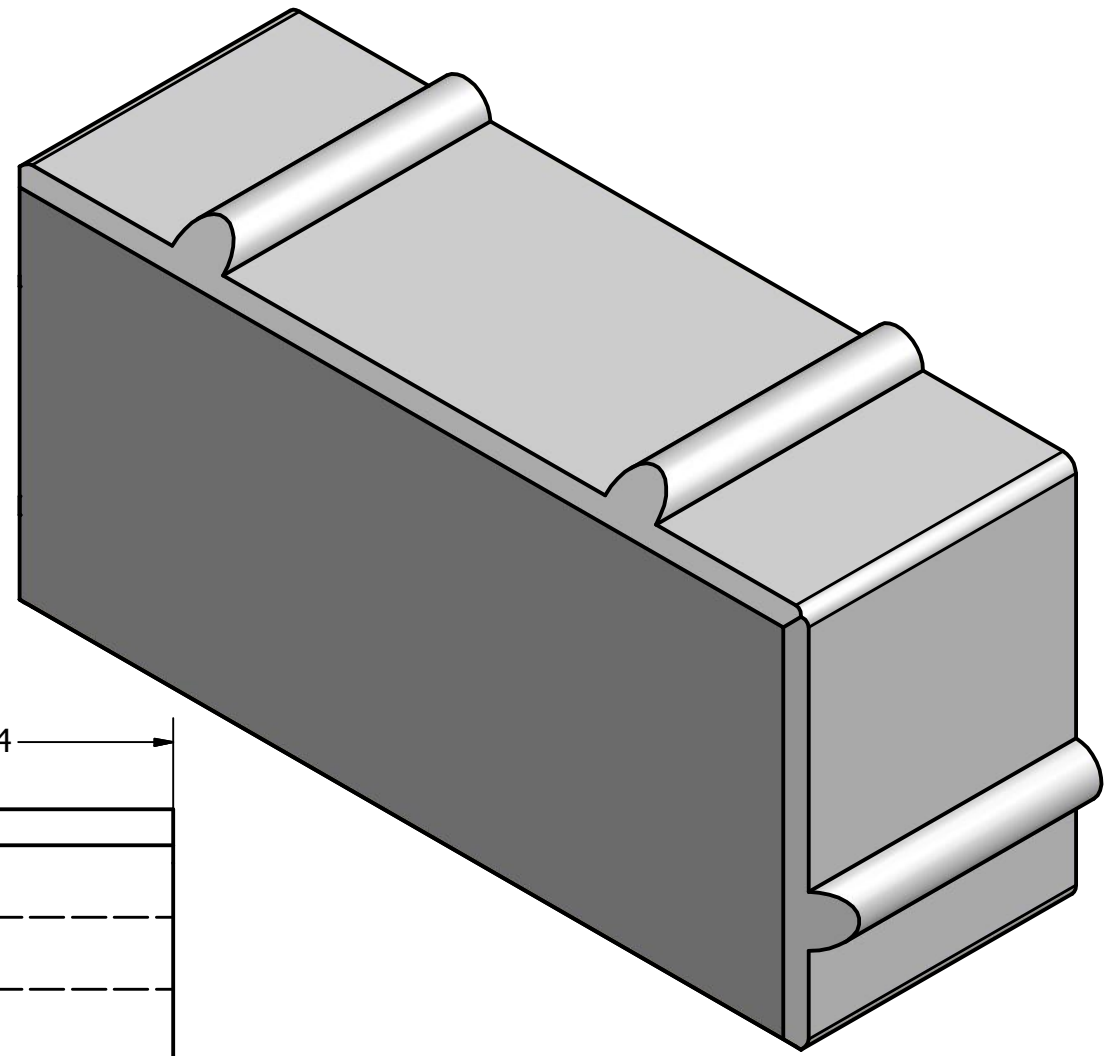
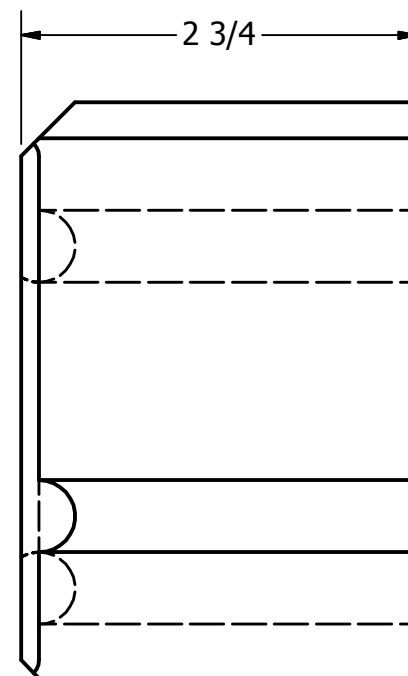
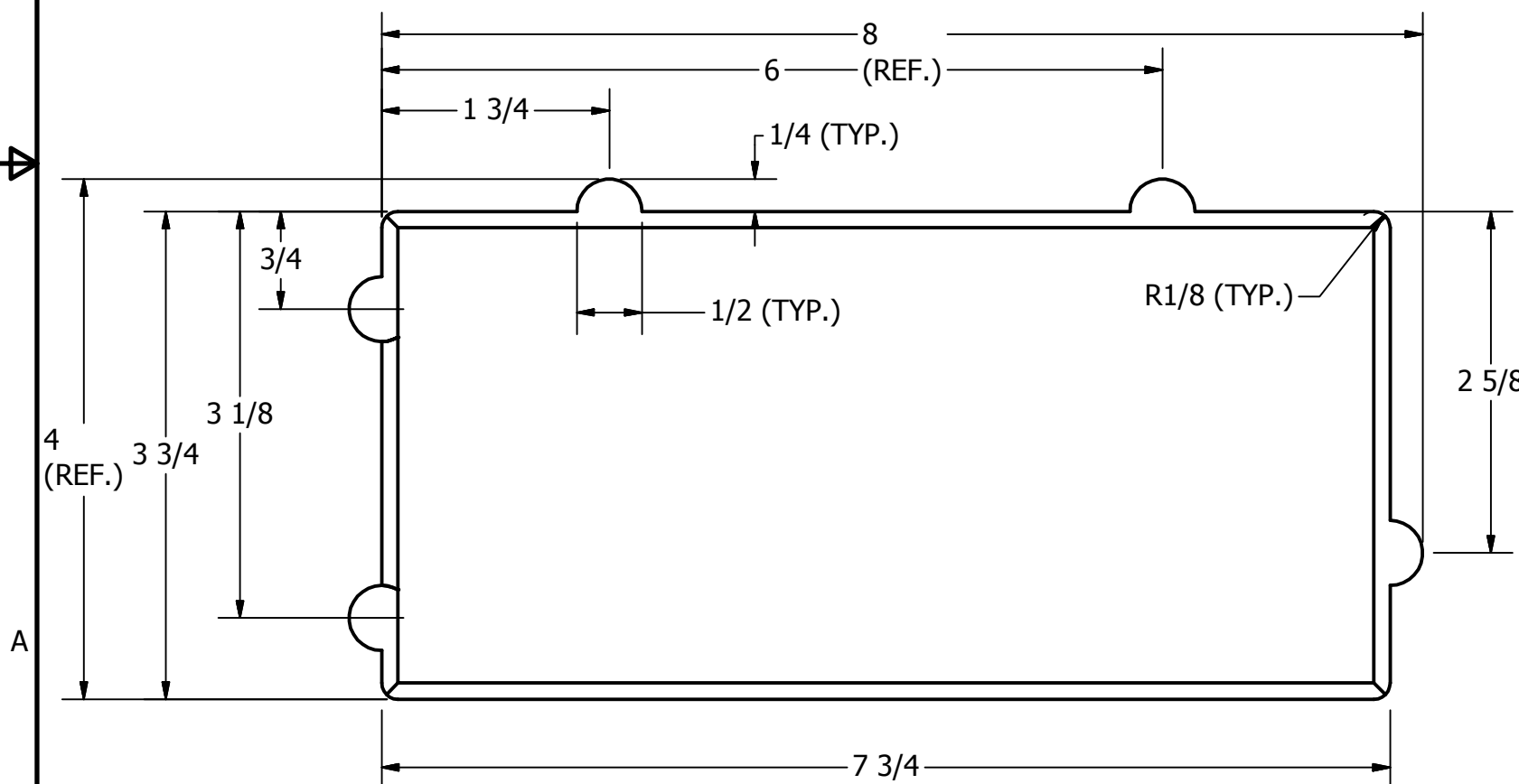
PARTS LIST			
ITEM	QTY	PART NUMBER	DESCRIPTION
1	1	Storm Pave HD 2.75	

B

B

A

A



PINE HALL BRICK CO.
 634 LINDSAY BRIDGE RD.
 MADISON, NC 27025

TITLE
Storm Pave HD

SIZE	DWG NO	REV
B		

SCALE SHEET 1 OF 1

4

3

2

1