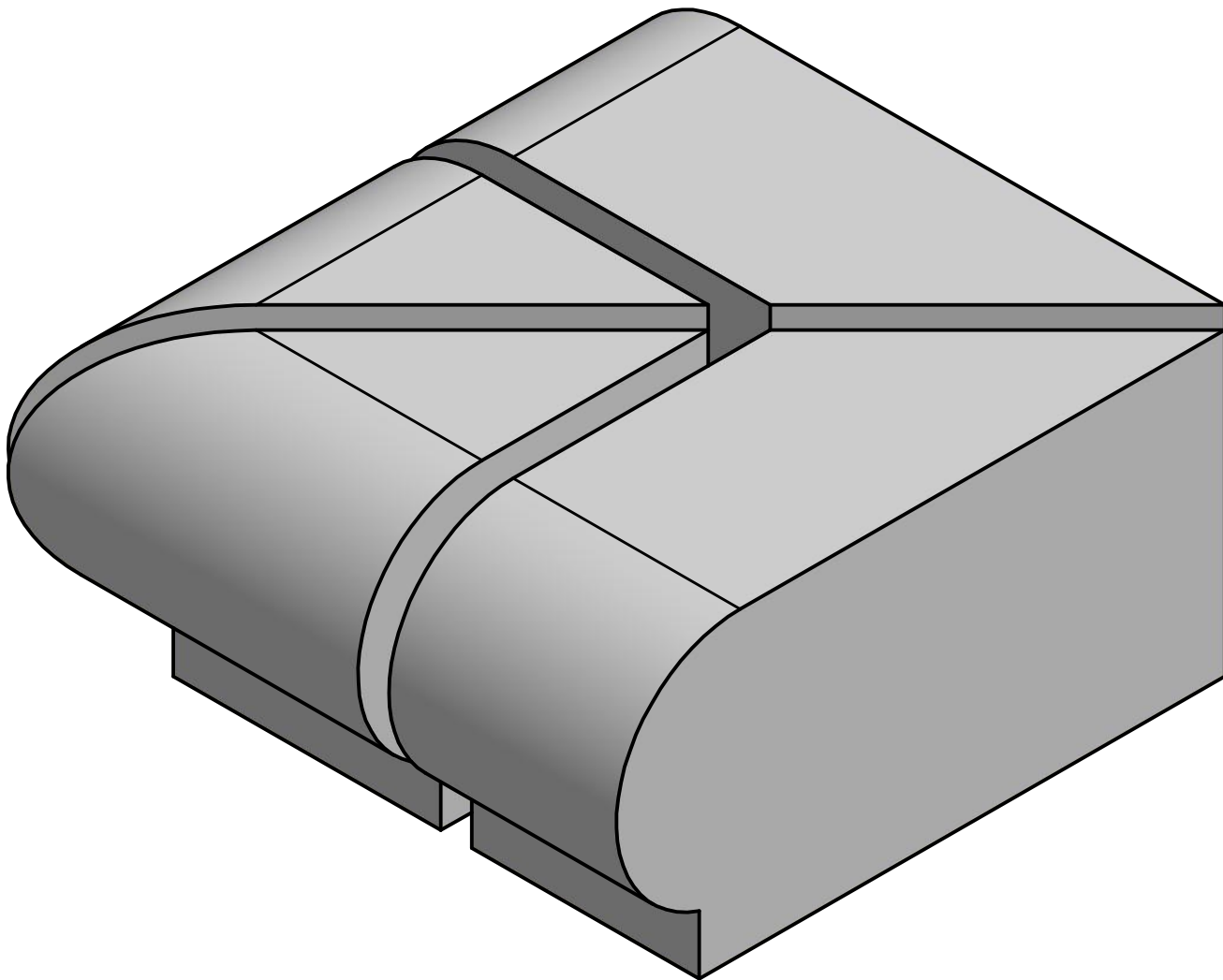


PARTS LIST			
ITEM	QTY	PART NUMBER	DESCRIPTION
1	1	ST-5 Shape- Corner	



PINE HALL BRICK CO. 634 LINDSAY BRIDGE RD. MADISON, NC 27025		
TITLE		ST-5 CORNER PART DETAIL
ST-5 Shape- Corner		
SIZE	DWG NO	REV
B		
SCALE	SHEET 1 OF 1	