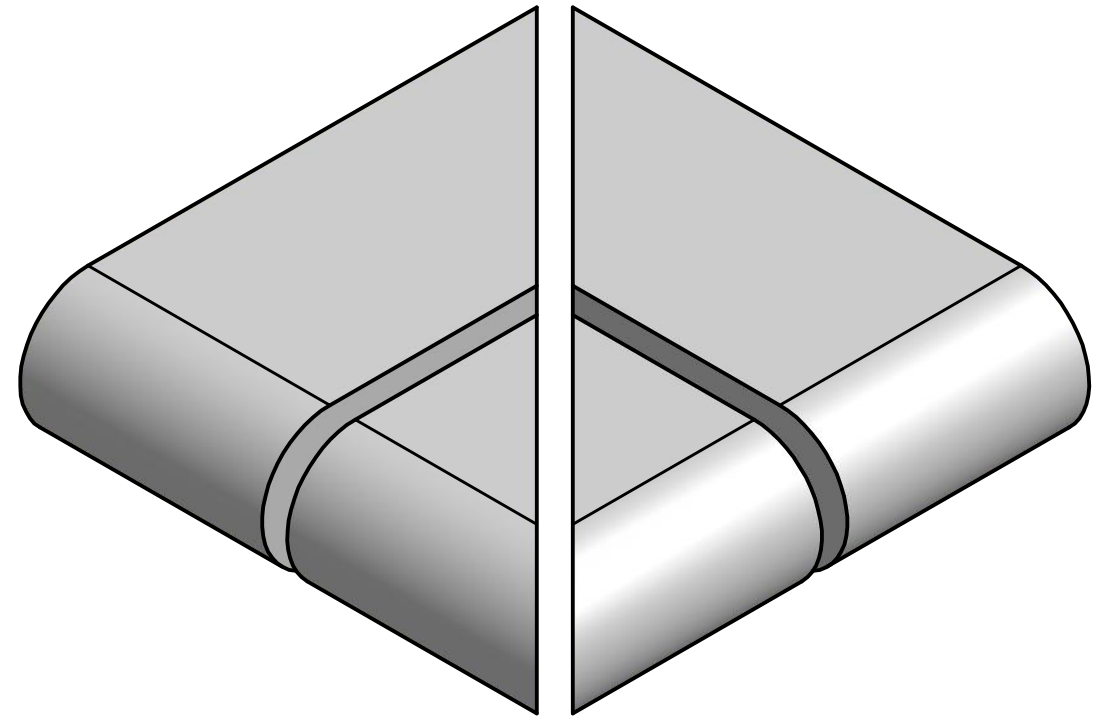


PARTS LIST			
ITEM	QTY	PART NUMBER	DESCRIPTION
1	1	ST-1 Shape- Corner	



PINE HALL BRICK CO. 634 LINDSAY BRIDGE RD. MADISON, NC 27025		
TITLE ST-1 CORNER PART DETAIL		
SIZE B	DWG NO	REV
SCALE	SHEET 1 OF 1	